



A brand of **legrand**

# Atis LED Oyster Light

## Instruction Manual

Cat.No. **LOL013KWE, LOL014KWE**



Dimmable

**Please read carefully: This product should be installed by a licensed electrician or similarly qualified person. Read through these instructions completely before commencing installation. Retain for future use.**

## 1 Specifications

Cat. No.	LOL013KWE	LOL014KWE
Nominal Input Voltage	230 - 240 V a.c. 50 Hz	
Input Power	17 W $\pm$ 7%	
Lumens Output	1550 lm $\pm$ 10%	1600 lm $\pm$ 10%
Efficacy	91 lm/W	94 lm/W
Power factor	0.95	
Correlated Colour Temperature (CCT)	3000 K $\pm$ 200K	4000 K $\pm$ 200K
Colour Rendering Index (CRI)	80+	
Beam Angle	120°	
Dimmable	Yes (with Trailing Edge Dimmer only)	
Average Lifespan (open air @ 25°C)	30,000 hrs	
Product Size	Ø 350 x 110 mm	
Warranty	3 Years	

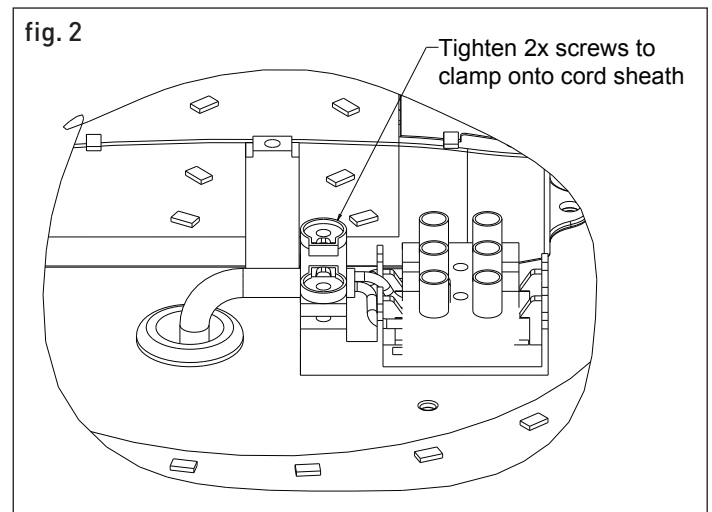
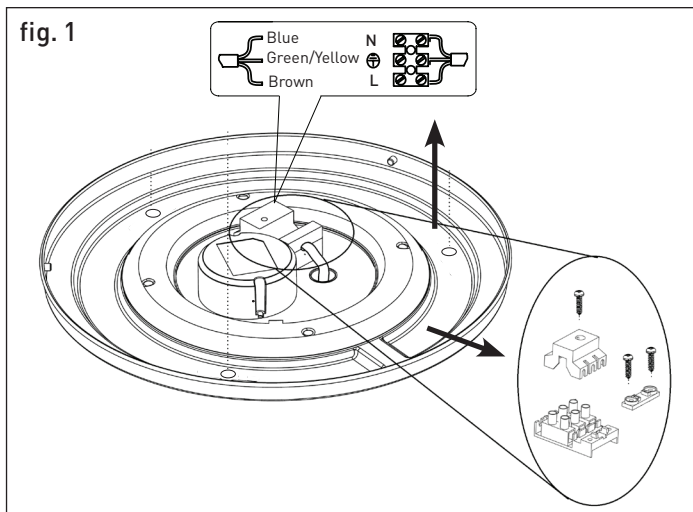
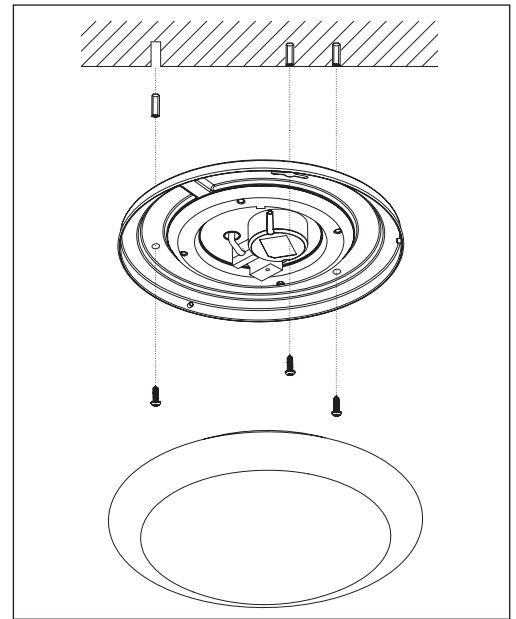
## 2 Dimming

This series of Oyster Lights are dimmable with trailing edge dimmers only. We recommend the following dimmers only.

Dimmer Cat. No.	LOL013KWE & LOL014KWE	
	Qty. of oyster lights per dimmer	Dimming range
Legrand EM400A3P, AR400A3P	8 max.	2% - 91%
Legrand EM400A2P	8 max.	10% - 85%
Legrand EM400T, AR400T	8 max.	8% - 94%
HPM 400T	8 max.	8% - 94%
Legrand EM250T	5 max.	9% - 91%
HPM 250T	5 max.	9% - 91%
HPM 700T	14 max.	10% - 92%
HPM 1000T	20 max.	13% - 91%

### 3 Installation

1. Remove the diffuser from the fitting.
2. Use the fitting as a template to mark the screw positions onto the ceiling.
3. Remove the cord anchorage & terminal block cover (fig. 1).
4. Insert the mains wiring through the silicone grommet located near the terminal block.
5. Install the fitting onto the ceiling.
6. Connect the mains wiring to the terminal block (Neutral, Earth and Active) as marked on the fitting. Ensure that the wires are secure and no bare wires are exposed.
7. Place the mains wiring in the cord anchorage system and secure it by tightening the screws. Ensure it clamps onto the cord sheath (fig. 2).
8. Install the terminal block cover back onto the terminal block.
9. Install the diffuser back onto the fitting.
10. **DO NOT MEGGER TEST**



### 4 Maintenance / Cleaning

This product should only be cleaned with a damp cloth. Cleaning agents and solvents should not be used.

### Product Notes

1. This product must be installed and used as per these instructions. 2. The mounting screws on this product should be tightened to a maximum torque of 0.8Nm. Over tightening may damage the product. 3. This product contains no serviceable parts and no attempt should be made to repair it. If the product is faulty it should be discarded. 4. This product is not suitable for installation in hazardous and/or corrosive areas. 5. Electrical installations periodically receive transient over-voltages. This product has been designed to minimise the effect of such voltages on connected equipment. It may not give full protection for extreme over-voltage transients such as those resulting from a close lightning strike. 6. This product has been designed to operate in ambient temperatures -5°C to 25°C occasionally reaching 35°C. 7. Stated lifespan is an average. Actual lifespan will vary according to individual circumstances. 8. Extended exposure to UV rays (such as exposure to direct sunlight) may cause discolouration of this product. 9. The material in this product may vary in colour from batch to batch. Colour matching from one batch to another cannot be guaranteed. 10. Legrand reserves the right to modify the specification of this product at any time. 11. This product utilises intellectual property in the form of registered designs, trademarks, and/or patents. Such intellectual property remains the property of Legrand in all cases.

#### Warranty

Legrand warrants this product for a period of 3 years from the date of purchase.

These goods come with guarantees that cannot be excluded under the Australian and New Zealand Consumer Laws. You are entitled to a replacement or a refund for a major failure and for compensation for any other reasonably foreseeable loss or damage. You are also entitled to have the goods repaired if the goods fail to be of acceptable quality and the failure does not amount to a major failure.

See the Warranty card enclosed with this product for further details.

#### Customer Service

For all Customer Service and Technical Support please call Monday to Friday during business hours.

Legrand Australia  
1300 369 777  
www.hpm.com.au

Legrand New Zealand  
0800 476 009  
www.hpm.co.nz

ABN: 31 000 102 661

